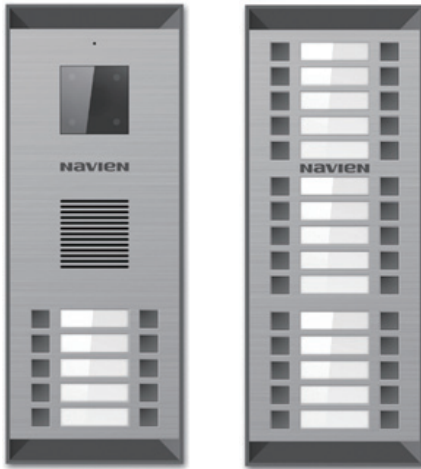


KD ONE

APARTMENT COLOR DOOR CAMERA



Model **UDP-500 SERIES**

- Please carefully read this User's Guide (In particular, precautions for safety) before using a product and follow instructions to use a product exactly.
- The company is not responsible for any safety accidents caused by abnormal operation of the product.

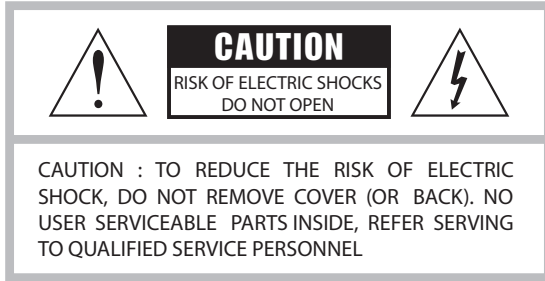
Navien User Manual

Contents

WARNING	4
IMPORTANT SAFEGUARDS	5
COMPONENTS	7
INSTALLATION	9
WIRING DIAGRAM	11
SYSTEM DIAGRAM	12
OPERATION	13
PRODUCT SPECIFICATIONS	14
WARRANTY	15

WARNING

- To prevent injury, the following safety precaution should be observed during installation, use and servicing of the unit.



This symbol is intended to alert the user to the presence of uninsulated “dangerous voltage” within the product’s enclosure that may be of sufficient magnitude to constitute a risk of electric shock to persons.



This symbol is intended to alert the user to the presence of important operating and maintenance (servicing) instructions in the literature accompanying the appliance.

- Apparatus shall not be exposed to dripping or splashing and that no objects filled with liquids, such as vases, shall be placed on the apparatus.
- To prevent injury this apparatus must be securely attached to the floor/wall in accordance with the installation instructions.
- The disconnect device shall remain readily operable.

Note : Change or modification not expressly approved by the party responsible for compliance could void the user’s authority to operate the equipment. This manual is based on the date as shown in the right and specification are subject to change without notice for quality improvement.

IMPORTANT SAFEGUARDS

1. Read Instructions

All the safety and operating instructions should be read before the unit is operated.

2. Retain Instructions

The safety and operating instructions should be retained for future reference.

3. Follow Instructions

All operating instructions, maintenance and all warnings should be followed.

4. Cleaning

Turn off the power of unit before cleaning. Do not use liquid or aerosol cleaners.

Use a dry cloth for the body of unit.

5. Attachments

Do not use attachments not recommended by the unit product manufacturer, as they may be hazardous or cause damage.

6. Heat and Moisture

Do not expose this unit direct sunlight and rain for reliable operation.

7. Installation

Do not install this unit on an unstable place (hot, cold, humid or excessive dust).

Use only with a mounting accessory recommended by the manufacturer or sold with the unit.

Installing this unit should follow instructions of manufacturer and qualified service personnel.

8. Ventilation

Slot and opening in the cabinet are provided for ventilation to ensure reliable operation of the unit and to protect it from overheating.

These openings must not be blocked or covered. Never place your unit on a bed, sofa, rug, or similar surface or on near a radiator or heat register.

This unit should not be placed in a built-in installation such as a bookcase or a rack unless proper ventilation is provided.

9. Power Sources

This unit should be operated only from the type of power source indicated on the label. If you are not sure of the type of power supply to your home, consult your appliance dealer or local power company.

To operate the unit by battery or other power source, consult the operating instructions.

10. Grounding and Polarization

This unit may be equipped with either a polarized 2-wire AC line plug (a plug having one blade wider than the other) or a 3-wire grounding type plug, a plug having a third (grounding) pin. The 2-wire polarized plug will fit into the power outlet only one way. This is a safety feature. If you are unable to insert the plug fully into the outlet, try reversing the plug. If the plug still fails to fit, contact your electrician to replace your outlet.

Do not defeat the safety purpose of the polarized plug.

11. Overloading

When using this product, do not overload the power outlets or extension cords as this could cause fire or electric shock.

12. Accessories

Do not place this unit on an unstable cart, stand, tripod, bracket or table. If the unit falls, it could cause injury or damage to the system.

13. Object and Liquids

Never push objects of any kind into this unit through the openings. Never spill liquid of any kind on the unit.

14. Servicing

Do not attempt to service this unit yourself as opening or removing covers may expose you to dangerous voltage or other hazards. Refer all servicing to qualified service personnel.

15. Power Line

The system should not be located near power lines or electric light or power circuits.

16. Damage Requiring Service

Unplug this unit from the wall outlet and refer to servicing to a qualified service technician if any of the following occur.

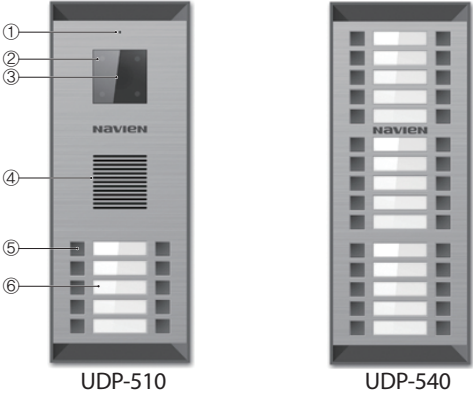
- a. If the power supply cord or plug is damaged.
- b. If any liquid has been spilled into objects have fallen in the unit.
- c. If the unit has been exposed to rain or water.
- d. If the unit has been dropped or otherwise damaged.
- e. If the equipment exhibits a distinct change in performance.

17. Replacement Part

When replacement parts are required, use replacement parts specified by the manufacturer.

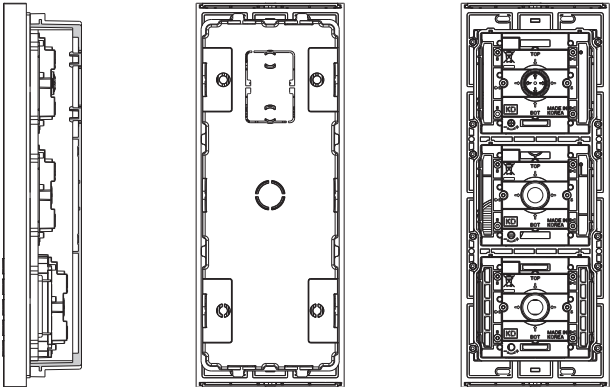
COMPONENTS

■ FRONT VIEW



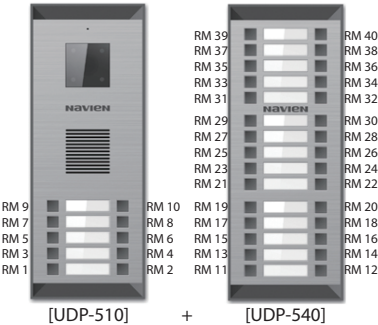
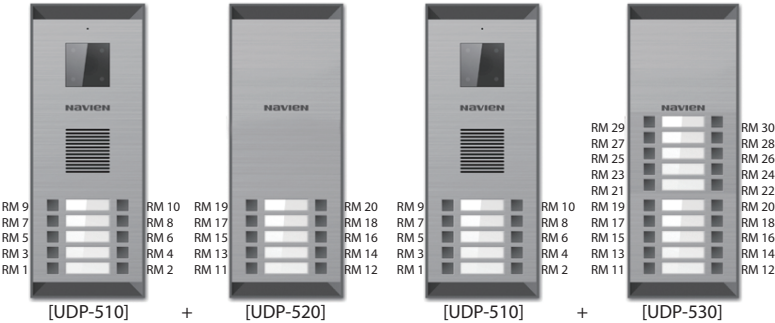
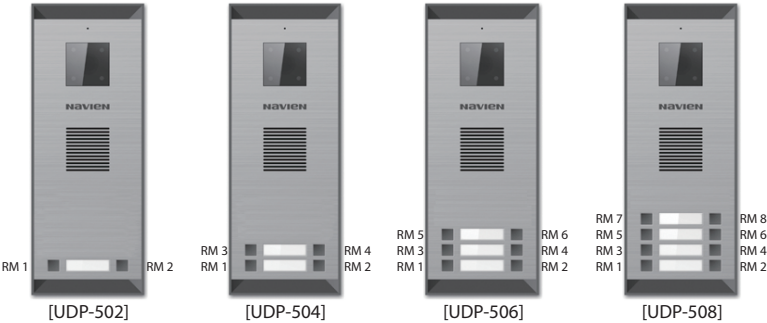
① MIC	③ CAMERA LENS	⑤ CALL BUTTON
② WHITE LED	④ SPEAKER	⑥ NAME PANEL

■ REAR VIEW

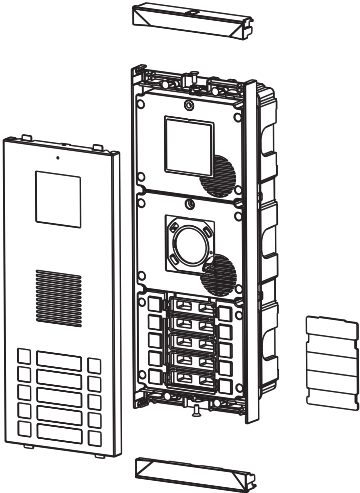


COMPONENTS

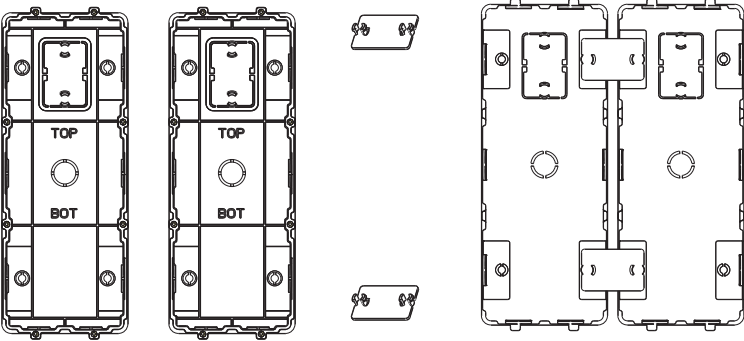
■ PRODUCT LINE-UP



INSTALLATION

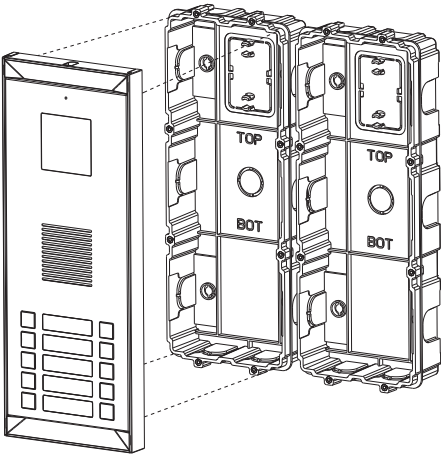


* UDP-510 FRONT CASE Installation

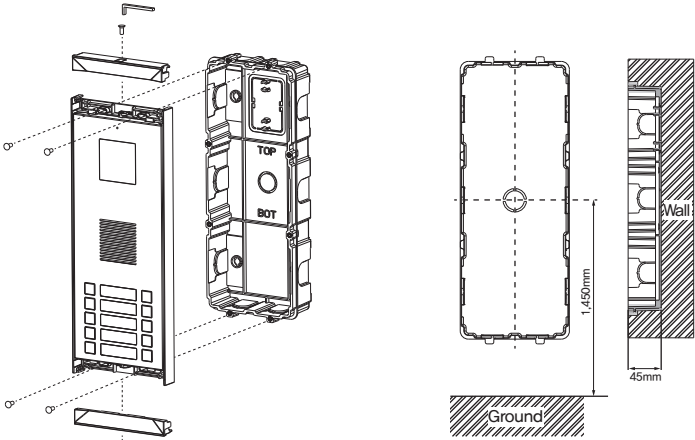


* REAR(Flush) CASE Installation

INSTALLATION



* Assembly of FRONT and REAR(Flush) CASE

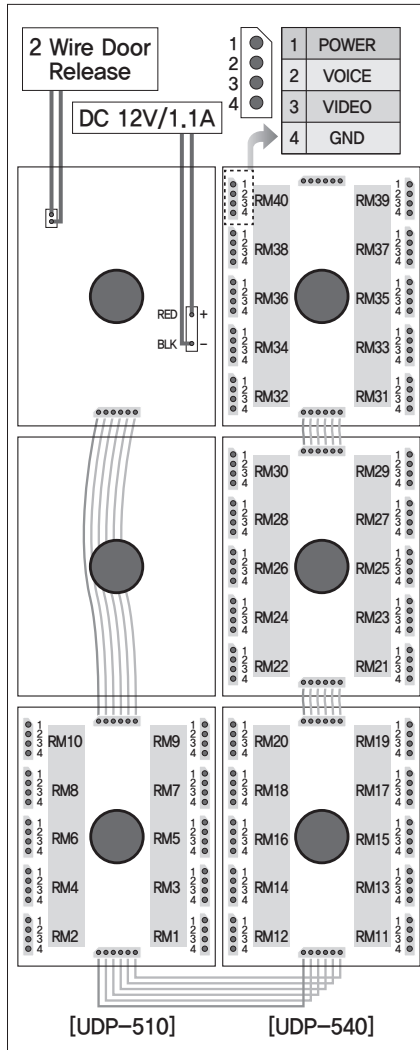


* Screw Positions

* Flush Box Installation

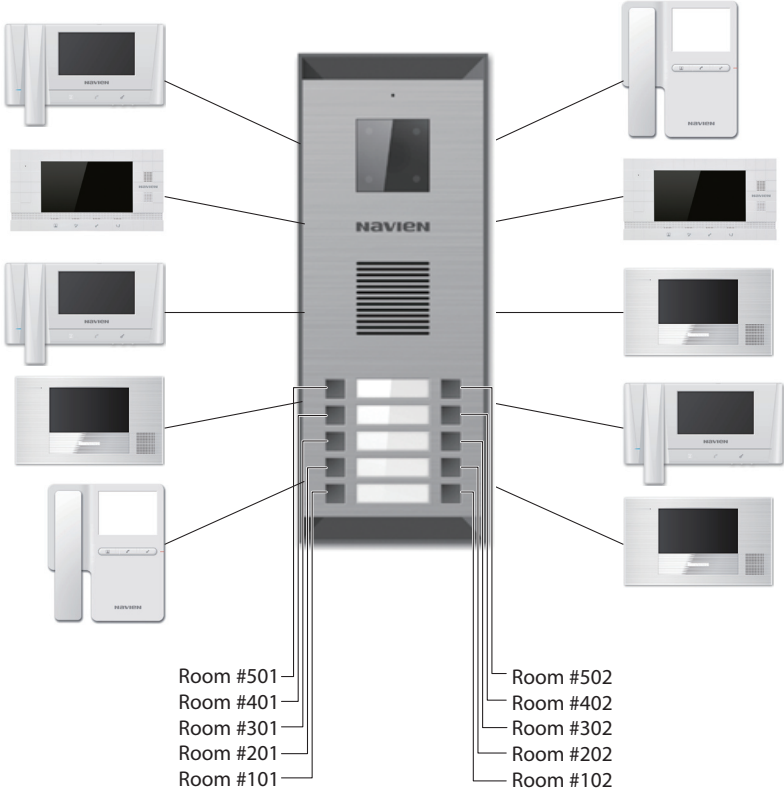
WIRING DIAGRAM

■ Wiring(Rear View)



SYSTEM DIAGRAM

■ System Diagram

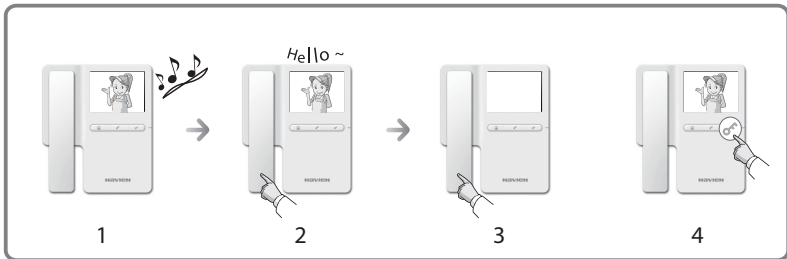


OPERATION

■ Operation



1. When a visitor pushes the call button, the monitor rings and Visitor's appearance is displaying.
2. When Hang-off the Hand-set , the conversation is started with the Visitor.
3. If you Hang-on the Hand-set while talking with the visitor, the screen goes blank and the conversation ends.
4. If you push the "Door Open" button on the monitor, the relevant door opens and the conversation ends.



<CAUTION>

1. This door camera provides the image and voice of the visitor conventionally.
2. This door camera doesn't effect on the specific characteristics of the different room monitors.

PRODUCT SPECIFICATIONS

■ Product Specifications

DIV.		SPECIFICATIONS	
POWER SOURCE	UDP-510	DC +12V, 500mA	
	UDP-510 & UDP-520	DC +12V, 700mA	
	UDP-510 & UDP-530	DC +12V, 900mA	
	UDP-510 & UDP-540	DC +12V, 1.1A	
VIDEO OUTPUT SIGNAL		1Vp-p/75Ω, Composite PAL/NTSC	
CAMERA		CMOS image sensor(COLOR)	
CAMERA LENS EFFECTIVE VIEWING ANGLE		Diagonal 73°	
LED	for Night Vision	White LED 4EA	
	for Name Panel	Green LED 2 ~ 40EA	
Door OPEN		AC/DC DOOR STRIKER	
Environmental Circumstances	Temp.	-10°C ~ 50°C	
	Humidity	Less than 90% (Relative humidity)	
Dimensions	Size	129(W) x 336(H) x 20(D)mm	
	Weight	UDP-510	App. 1.02Kg
		UDP-540	App. 1.23Kg
		FLUSH BOX	App. 230g
Mounting		Flush Mount Type	
WIRING	Distance	Max 50M (TIV ø0.65) - Up to the Farthest Video phone	
	Method	Up to 40 Video Phone each : 4 Wires in Polarity(POWER, VOICE, VIDEO, GND)	

WARRANTY

Products are supplied with two(2) years return to base warranty, from the date of purchase. We will repair or replace the defective item with a new or factory rebuilt replacement.

Condition

1. This warranty applies to the original purchaser only.
2. All warranty will be invalid if unauthorized repair or modification are made to the unit or in any case of accident, misuse, damage cause by improper installation and altered serial numbers.
3. The liability of is limited to the cost of repair/replacement of the unit under warranty.
4. If you need a warranty service, you should send the product to our customer service Dept't or dealer office. The product in all cases must be accompanied by the following items:
Your name, address, telephone number, the serial number, copy of your sales receipt showing the purchase date.

The Model Number is on the box and front of the manual. The Serial Number is on the bottom of the unit. Record the Model and Serial Numbers in the spaces provided below.

Refer to these numbers for warranty service.

Model No.

Serial No.



4F, KOAMI Bldg., 22, Gukhoe-daero 76-gil, Yeongdeungpo-gu, Seoul,
150-870, Korea/KD One global business Dept.
www.kdone.co.kr www.kdone.net

Printed In Korea

20030575A